

## 100V/2A Peak, Low Cost, High Frequency Half Bridge Driver

The HIP2100 is a high frequency, 100V Half Bridge N-Channel power MOSFET driver IC. The low-side and high-side gate drivers are independently controlled and matched to 8ns. This gives the user maximum flexibility in dead-time selection and driver protocol. Undervoltage protection on both the low-side and high-side supplies force the outputs low. An on-chip diode eliminates the discrete diode required with other driver ICs. A new level-shifter topology yields the low-power benefits of pulsed operation with the safety of DC operation. Unlike some competitors, the high-side output returns to its correct state after a momentary undervoltage of the high-side supply.

### Ordering Information

| PART #               | TEMP. RANGE (°C) | PACKAGE                 | PKG. DWG. # |
|----------------------|------------------|-------------------------|-------------|
| HIP2100IB            | -40 to 125       | 8 Ld SOIC               | M8.15       |
| HIP2100IBZ (Note 1)  | -40 to 125       | 8 Ld SOIC (Pb-free)     | M8.15       |
| HIP2100EIB           | -40 to 125       | 8 Ld EPSONIC            | M8.15C      |
| HIP2100EIBZ (Note 1) | -40 to 125       | 8 Ld EPSONIC (Pb-free)  | M8.15C      |
| HIP2100IR            | -40 to 125       | 16 Ld 5x5 QFN           | L16.5x5     |
| HIP2100IRZ (Note 1)  | -40 to 125       | 16 Ld 5x5 QFN (Pb-free) | L16.5x5     |
| HIP2100IR4           | -40 to 125       | 12 Ld 4x4 DFN           | L12.4x4A    |
| HIP2100IR4Z (Note 1) | -40 to 125       | 12 Ld 4x4 DFN (Pb-free) | L12.4x4A    |

#### NOTES:

- Intersil Pb-free products employ special Pb-free material sets; molding compounds/die attach materials and 100% matte tin plate termination finish, which are RoHS compliant and compatible with both SnPb and Pb-free soldering operations. Intersil Pb-free products are MSL classified at Pb-free peak reflow temperatures that meet or exceed the Pb-free requirements of IPC/JEDEC J STD-020C.
- Add "T" suffix for Tape and Reel packing option.

### Features

- Drives N-Channel MOSFET Half Bridge
- SOIC, EPSONIC, QFN and DFN Package Options
- SOIC, EPSONIC and DFN Packages Compliant with 100V Conductor Spacing Guidelines of IPC-2221
- Pb-Free Product Available (RoHS Compliant)
- Bootstrap Supply Max Voltage to 114VDC
- On-Chip 1Ω Bootstrap Diode
- Fast Propagation Times for Multi-MHz Circuits
- Drives 1000pF Load with Rise and Fall Times Typ. 10ns
- CMOS Input Thresholds for Improved Noise Immunity
- Independent Inputs for Non-Half Bridge Topologies
- No Start-Up Problems
- Outputs Unaffected by Supply Glitches, HS Ringing Below Ground, or HS Slewing at High dv/dt
- Low Power Consumption
- Wide Supply Range
- Supply Undervoltage Protection
- 3Ω Driver Output Resistance
- QFN/DFN Package:
  - Compliant to JEDEC PUB95 MO-220 QFN - Quad Flat No Leads - Package Outline
  - Near Chip Scale Package footprint, which improves PCB efficiency and has a thinner profile

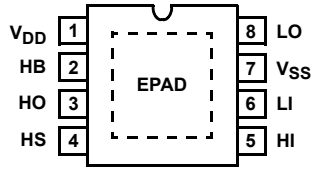
### Applications

- Telecom Half Bridge Power Supplies
- Avionics DC-DC Converters
- Two-Switch Forward Converters
- Active Clamp Forward Converters

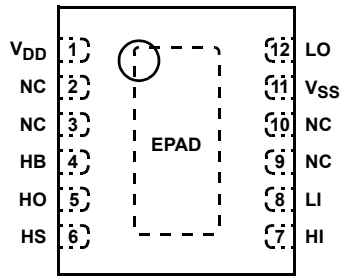
# HIP2100

## Pinouts

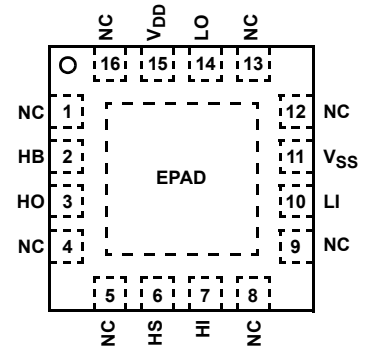
HIP2100 (SOIC, EPSONIC)  
TOP VIEW



HIP2100IR4 (DFN)  
TOP VIEW

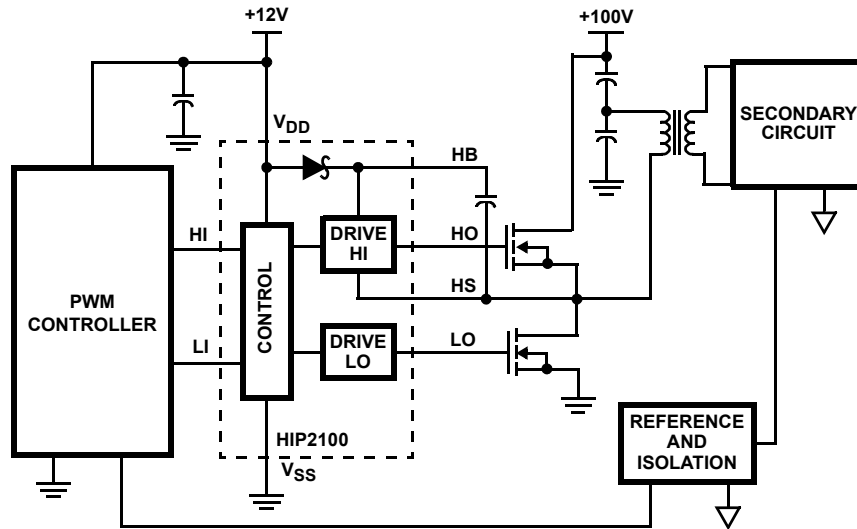


HIP2100 (QFN)  
TOP VIEW

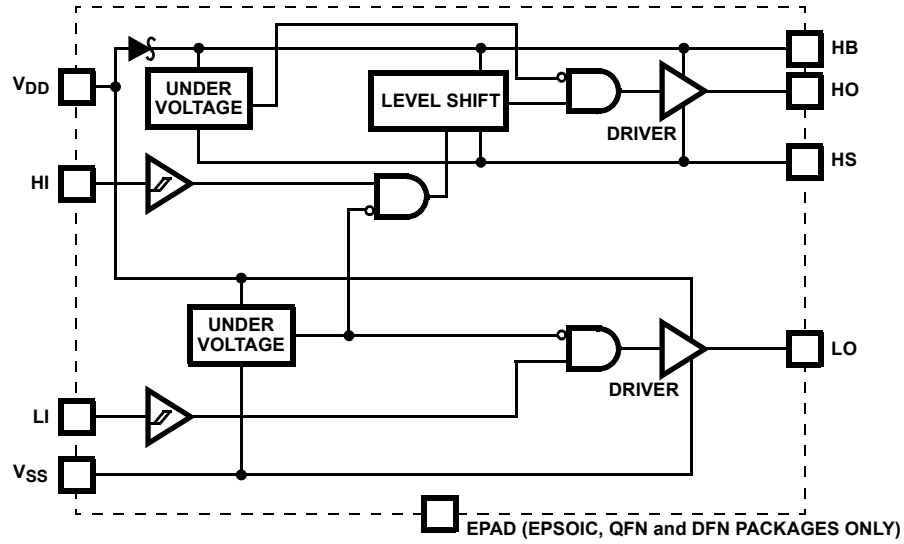


NOTE: EPAD = Exposed PAD.

## Application Block Diagram



**Functional Block Diagram**



\*EPAD = Exposed Pad. The EPAD is electrically isolated from all other pins. For best thermal performance connect the EPAD to the PCB power ground plane.

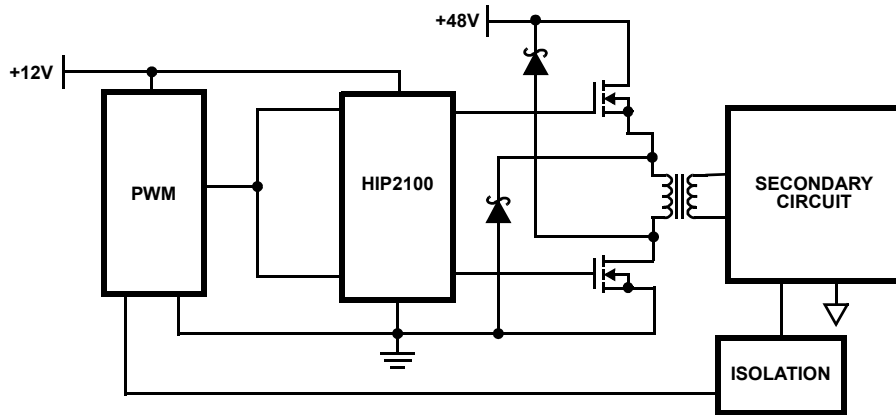


FIGURE 1. TWO-SWITCH FORWARD CONVERTER

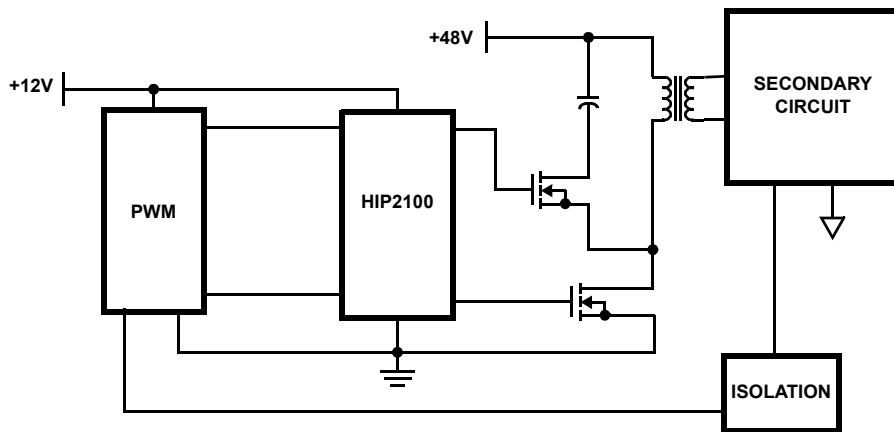


FIGURE 2. FORWARD CONVERTER WITH AN ACTIVE CLAMP

**Absolute Maximum Ratings**

|   |                                  |
|---|----------------------------------|
| Supply Voltage, $V_{DD}$ , $V_{HB}$ - $V_{HS}$ (Notes 3, 4) | -0.3V to 18V                     |
| LI and HI Voltages (Note 4)                                 | -0.3V to $V_{DD}$ +0.3V          |
| Voltage on LO (Note 4)                                      | -0.3V to $V_{DD}$ +0.3V          |
| Voltage on HO (Note 4)                                      | $V_{HS}$ -0.3V to $V_{HB}$ +0.3V |
| Voltage on HS (Continuous) (Note 4)                         | -1V to 110V                      |
| Voltage on HS (Note 4)                                      | +118V                            |
| Average Current in $V_{DD}$ to HB diode                     | 100mA                            |
| ESD Classification  | Class 1 (1kV)                    |

**Maximum Recommended Operating Conditions**

|                                      |  |
|--------------------------------------|--|
| Supply Voltage, $V_{DD}$             | +9V to 14.0VDC   |
| Voltage on HS                        | -1V to 100V  |
| Voltage on HS (Repetitive Transient) | -5V to 105V  |
| Voltage on HB                        | $V_{HS}$ +8V to $V_{HS}$ +14.0V and $V_{DD}$ -1V to $V_{DD}$ +100V |
| HS Slew Rate                         | <50V/ns  |

**Thermal Information**

|  |                      |                      |
|--|----------------------|----------------------|
| Thermal Resistance (Typical)                               | $\theta_{JA}$ (°C/W) | $\theta_{JC}$ (°C/W) |
| SOIC (Note 5)  | 95                   | N/A                  |
| EPSON (Note 6)   | 40                   | 3.0                  |
| QFN (Note 6)   | 37                   | 6.5                  |
| DFN (Note 6)   | 40                   | 3.0                  |
| Max Power Dissipation at 25°C in Free Air (SOIC, Note 5)   | 1.3W                 |                      |
| Max Power Dissipation at 25°C in Free Air (EPSON, Note 6)  | 3.1W                 |                      |
| Max Power Dissipation at 25°C in Free Air (QFN, Note 6)    | 3.3W                 |                      |
| Storage Temperature Range                                  | -65°C to 150°C       |                      |
| Junction Temperature Range                                 | -55°C to 150°C       |                      |
| Lead Temperature (Soldering 10s - SOIC Lead Tips Only)     | 300°C                |                      |
| For Recommended soldering conditions see Tech Brief TB389. |                      |                      |

CAUTION: Stresses above those listed in "Absolute Maximum Ratings" may cause permanent damage to the device. This is a stress only rating and operation of the device at these or any other conditions above those indicated in the recommended operating conditions of this specification is not implied.

NOTES:

- The HIP2100 is capable of derated operation at supply voltages exceeding 14V. Figure 16 shows the high-side voltage derating curve for this mode of operation.
- All voltages referenced to  $V_{SS}$  unless otherwise specified.
- $\theta_{JA}$  is measured with the component mounted on a high effective thermal conductivity test board in free air. See Tech Brief TB379 for details.
- $\theta_{JA}$  is measured in free air with the component mounted on a high effective thermal conductivity test board with "direct attach" features.  $\theta_{JC}$ , the "case temp" is measured at the center of the exposed metal pad on the package underside. See Tech Brief TB379.

**Electrical Specifications**  $V_{DD} = V_{HB} = 12V$ ,  $V_{SS} = V_{HS} = 0V$ , No Load on LO or HO, Unless Otherwise Specified

| PARAMETERS                         | SYMBOL     | TEST CONDITIONS          | $T_J = 25^\circ C$ |      |      | $T_J = -40^\circ C$ TO $125^\circ C$ |     | UNITS      |
|------------------------------------|------------|--------------------------|--------------------|------|------|--------------------------------------|-----|------------|
|                                    |            |                          | MIN                | TYP  | MAX  | MIN                                  | MAX |            |
| <b>SUPPLY CURRENTS</b>             |            |                          |                    |      |      |                                      |     |            |
| $V_{DD}$ Quiescent Current         | $I_{DD}$   | LI = HI = 0V             | -                  | 0.1  | 0.15 | -                                    | 0.2 | mA         |
| $V_{DD}$ Operating Current         | $I_{DDO}$  | f = 500kHz               | -                  | 1.5  | 2.5  | -                                    | 3   | mA         |
| Total HB Quiescent Current         | $I_{HB}$   | LI = HI = 0V             | -                  | 0.1  | 0.15 | -                                    | 0.2 | mA         |
| Total HB Operating Current         | $I_{HBO}$  | f = 500kHz               | -                  | 1.5  | 2.5  | -                                    | 3   | mA         |
| HB to $V_{SS}$ Current, Quiescent  | $I_{HBS}$  | $V_{HS} = V_{HB} = 114V$ | -                  | 0.05 | 1    | -                                    | 10  | $\mu A$    |
| HB to $V_{SS}$ Current, Operating  | $I_{HBOS}$ | f = 500kHz               | -                  | 0.7  | -    | -                                    | -   | mA         |
| <b>INPUT PINS</b>                  |            |                          |                    |      |      |                                      |     |            |
| Low Level Input Voltage Threshold  | $V_{IL}$   |                          | 4                  | 5.4  | -    | 3                                    | -   | V          |
| High Level Input Voltage Threshold | $V_{IH}$   |                          | -                  | 5.8  | 7    | -                                    | 8   | V          |
| Input Voltage Hysteresis           | $V_{IHYS}$ |                          | -                  | 0.4  | -    | -                                    | -   | V          |
| Input Pulldown Resistance          | $R_I$      |                          | -                  | 200  | -    | 100                                  | 500 | k $\Omega$ |
| <b>UNDERVOLTAGE PROTECTION</b>     |            |                          |                    |      |      |                                      |     |            |
| $V_{DD}$ Rising Threshold          | $V_{DDR}$  |                          | 7                  | 7.3  | 7.8  | 6.5                                  | 8   | V          |
| $V_{DD}$ Threshold Hysteresis      | $V_{DDH}$  |                          | -                  | 0.5  | -    | -                                    | -   | V          |
| HB Rising Threshold                | $V_{HBR}$  |                          | 6.5                | 6.9  | 7.5  | 6                                    | 8   | V          |
| HB Threshold Hysteresis            | $V_{HBH}$  |                          | -                  | 0.4  | -    | -                                    | -   | V          |

# HIP2100

## Electrical Specifications $V_{DD} = V_{HB} = 12V$ , $V_{SS} = V_{HS} = 0V$ , No Load on LO or HO, Unless Otherwise Specified (Continued)

| PARAMETERS                   | SYMBOL    | TEST CONDITIONS  | $T_J = 25^\circ\text{C}$ |      |      | $T_J = -40^\circ\text{C TO } 125^\circ\text{C}$ |     | UNITS    |
|------------------------------|-----------|--|--------------------------|------|------|---|-----|----------|
|                              |           |  | MIN                      | TYP  | MAX  | MIN   | MAX |          |
| <b>BOOT STRAP DIODE</b>      |           |  |                          |      |      |   |     |          |
| Low-Current Forward Voltage  | $V_{DL}$  | $I_{V_{DD-HB}} = 100\mu\text{A}$                       | -                        | 0.45 | 0.55 | -   | 0.7 | V        |
| High-Current Forward Voltage | $V_{DH}$  | $I_{V_{DD-HB}} = 100\text{mA}$                         | -                        | 0.7  | 0.8  | -   | 1   | V        |
| Dynamic Resistance           | $R_D$     | $I_{V_{DD-HB}} = 100\text{mA}$                         | -                        | 0.8  | 1    | -   | 1.5 | $\Omega$ |
| <b>LO GATE DRIVER</b>        |           |  |                          |      |      |   |     |          |
| Low Level Output Voltage     | $V_{OLL}$ | $I_{LO} = 100\text{mA}$                                | -                        | 0.25 | 0.3  | -   | 0.4 | V        |
| High Level Output Voltage    | $V_{OHL}$ | $I_{LO} = -100\text{mA}$ , $V_{OHL} = V_{DD} - V_{LO}$ | -                        | 0.25 | 0.3  | -   | 0.4 | V        |
| Peak Pullup Current          | $I_{OHL}$ | $V_{LO} = 0V$  | -                        | 2    | -    | -   | -   | A        |
| Peak Pulldown Current        | $I_{OLL}$ | $V_{LO} = 12V$   | -                        | 2    | -    | -   | -   | A        |
| <b>HO GATE DRIVER</b>        |           |  |                          |      |      |   |     |          |
| Low Level Output Voltage     | $V_{OLH}$ | $I_{HO} = 100\text{mA}$                                | -                        | 0.25 | 0.3  | -   | 0.4 | V        |
| High Level Output Voltage    | $V_{OHH}$ | $I_{HO} = -100\text{mA}$ , $V_{OHH} = V_{HB} - V_{HO}$ | -                        | 0.25 | 0.3  | -   | 0.4 | V        |
| Peak Pullup Current          | $I_{OHH}$ | $V_{HO} = 0V$  | -                        | 2    | -    | -   | -   | A        |
| Peak Pulldown Current        | $I_{OLH}$ | $V_{HO} = 12V$   | -                        | 2    | -    | -   | -   | A        |

## Switching Specifications $V_{DD} = V_{HB} = 12V$ , $V_{SS} = V_{HS} = 0V$ , No Load on LO or HO, Unless Otherwise Specified

| PARAMETERS  | SYMBOL              | TEST CONDITIONS        | $T_J = 25^\circ\text{C}$ |     |     | $T_J = -40^\circ\text{C TO } 125^\circ\text{C}$ |     | UNITS |
|---|---------------------|------------------------|--------------------------|-----|-----|---|-----|-------|
|   |                     |                        | MIN                      | TYP | MAX | MIN   | MAX |       |
| Lower Turn-Off Propagation Delay (LI Falling to LO Falling) | $t_{LPHL}$          |                        | -                        | 20  | 35  | -   | 45  | ns    |
| Upper Turn-Off Propagation Delay (HI Falling to HO Falling) | $t_{HPHL}$          |                        | -                        | 20  | 35  | -   | 45  | ns    |
| Lower Turn-On Propagation Delay (LI Rising to LO Rising)    | $t_{LPLH}$          |                        | -                        | 20  | 35  | -   | 45  | ns    |
| Upper Turn-On Propagation Delay (HI Rising to HO Rising)    | $t_{HPLH}$          |                        | -                        | 20  | 35  | -   | 45  | ns    |
| Delay Matching: Lower Turn-On and Upper Turn-Off            | $t_{MON}$           |                        | -                        | 2   | 8   | -   | 10  | ns    |
| Delay Matching: Lower Turn-Off and Upper Turn-On            | $t_{MOFF}$          |                        | -                        | 2   | 8   | -   | 10  | ns    |
| Either Output Rise/Fall Time                                | $t_{RC}$ , $t_{FC}$ | $C_L = 1000\text{pF}$  | -                        | 10  | -   | -   | -   | ns    |
| Either Output Rise/Fall Time (3V to 9V)                     | $t_R$ , $t_F$       | $C_L = 0.1\mu\text{F}$ | -                        | 0.5 | 0.6 | -   | 0.8 | us    |
| Either Output Rise Time Driving DMOS                        | $t_{RD}$            | $C_L = \text{IRFR120}$ | -                        | 20  | -   | -   | -   | ns    |
| Either Output Fall Time Driving DMOS                        | $t_{FD}$            | $C_L = \text{IRFR120}$ | -                        | 10  | -   | -   | -   | ns    |
| Minimum Input Pulse Width that Changes the Output           | $t_{PW}$            |                        | -                        | -   | -   | -   | 50  | ns    |
| Bootstrap Diode Turn-On or Turn-Off Time                    | $t_{BS}$            |                        | -                        | 10  | -   | -   | -   | ns    |

**Pin Descriptions**

| SYMBOL          | DESCRIPTION   |
|-----------------|---|
| V <sub>DD</sub> | Positive Supply to lower gate drivers. De-couple this pin to V <sub>SS</sub> . Bootstrap diode connected to HB.   |
| HB              | High-Side Bootstrap supply. External bootstrap capacitor is required. Connect positive side of bootstrap capacitor to this pin. Bootstrap diode is on-chip. |
| HO              | High-Side Output. Connect to gate of High-Side power MOSFET.  |
| HS              | High-Side Source connection. Connect to source of High-Side power MOSFET. Connect negative side of bootstrap capacitor to this pin.                         |
| HI              | High-Side input.  |
| LI              | Low-Side input.   |
| V <sub>SS</sub> | Chip negative supply, generally will be ground.   |
| LO              | Low-Side Output. Connect to gate of Low-Side power MOSFET.  |
| EPAD            | Exposed Pad. Connect to ground or float. The EPAD is electrically isolated from all other pins.   |

**Timing Diagrams**

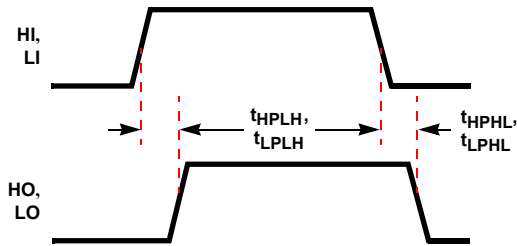


FIGURE 3.

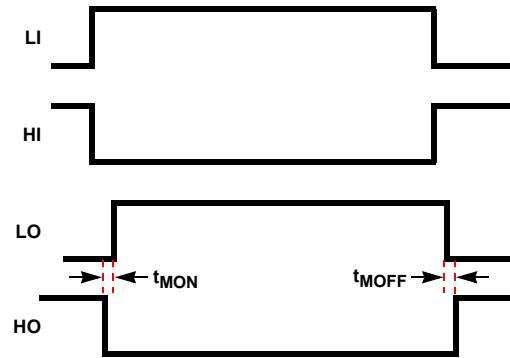


FIGURE 4.

**Typical Performance Curves**

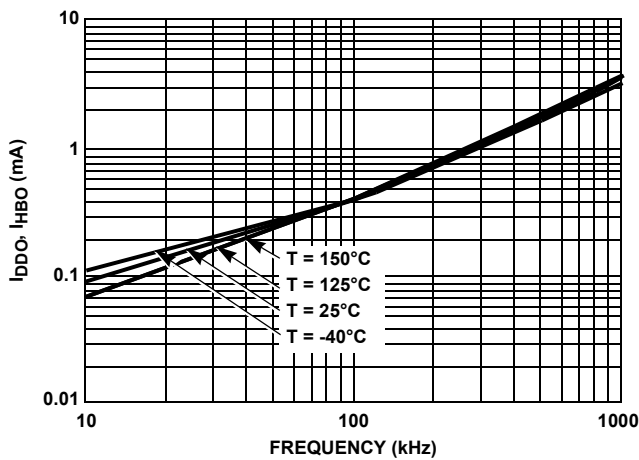


FIGURE 5. OPERATING CURRENT vs FREQUENCY

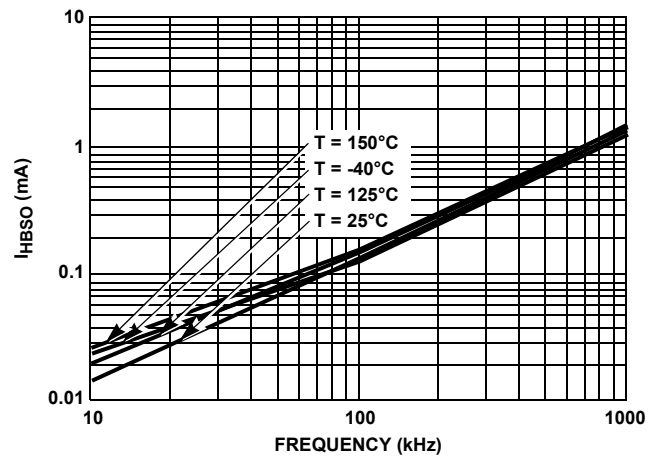


FIGURE 6. HB TO V<sub>SS</sub> OPERATING CURRENT vs FREQUENCY

Typical Performance Curves (Continued)

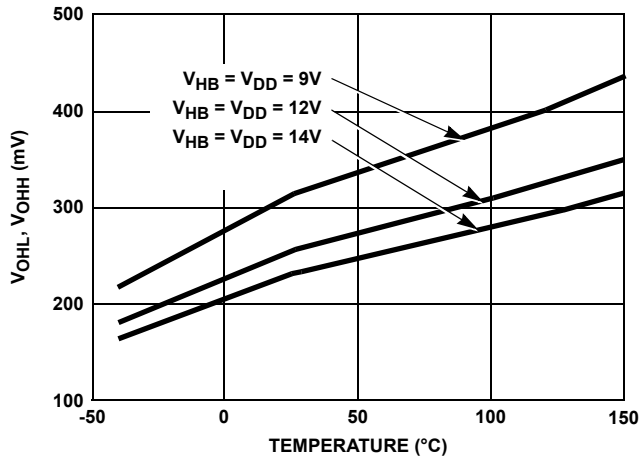


FIGURE 7. HIGH LEVEL OUTPUT VOLTAGE vs TEMPERATURE

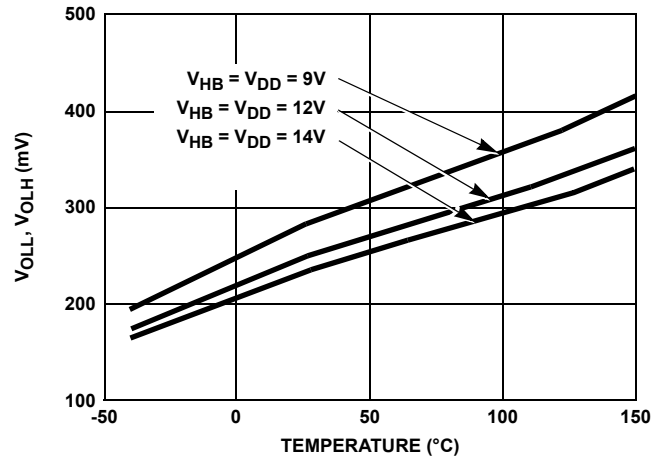


FIGURE 8. LOW LEVEL OUTPUT VOLTAGE vs TEMPERATURE

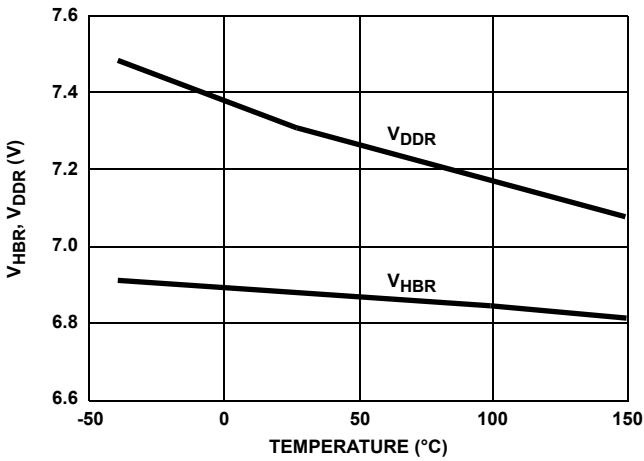


FIGURE 9. UNDERVOLTAGE LOCKOUT THRESHOLD vs TEMPERATURE

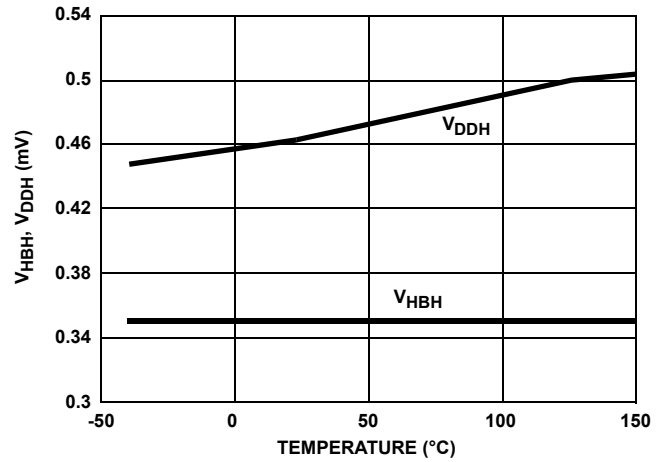


FIGURE 10. UNDERVOLTAGE LOCKOUT HYSTERESIS vs TEMPERATURE

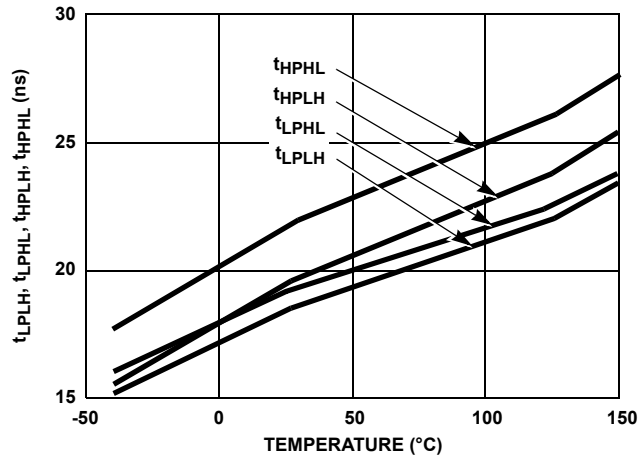


FIGURE 11. PROPAGATION DELAYS vs TEMPERATURE

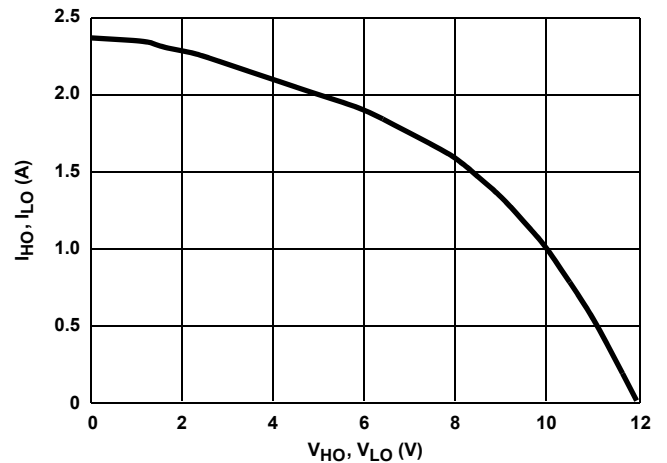


FIGURE 12. PEAK PULLUP CURRENT vs OUTPUT VOLTAGE

Typical Performance Curves (Continued)

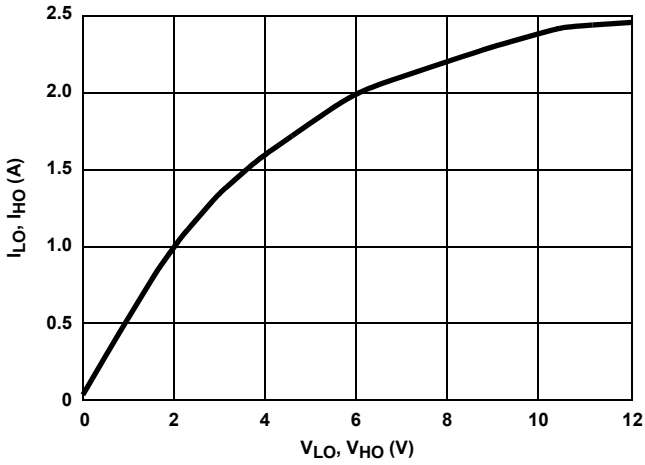


FIGURE 13. PEAK PULLDOWN CURRENT vs OUTPUT VOLTAGE

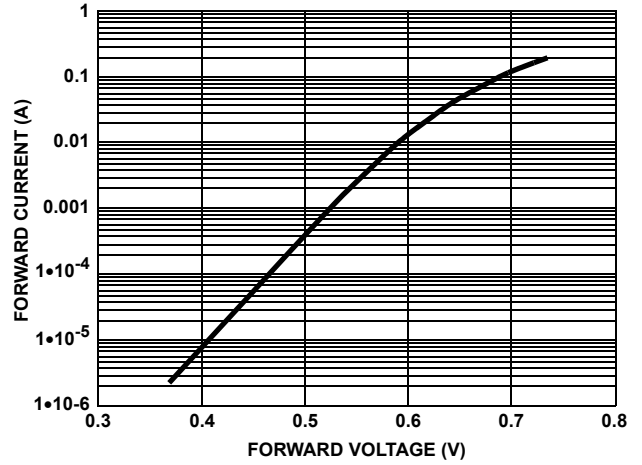


FIGURE 14. BOOTSTRAP DIODE I-V CHARACTERISTICS

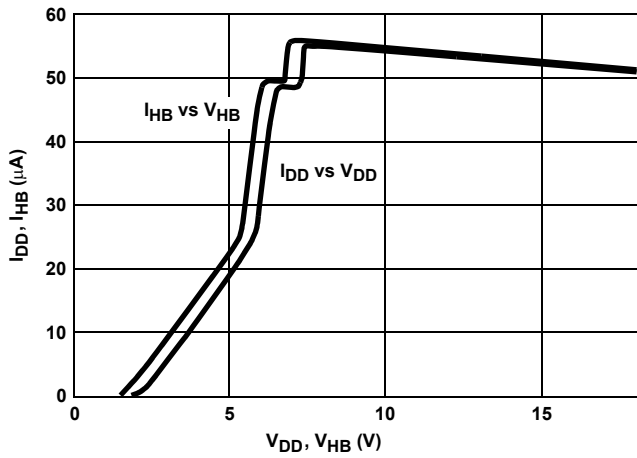


FIGURE 15. QUIESCENT CURRENT vs VOLTAGE

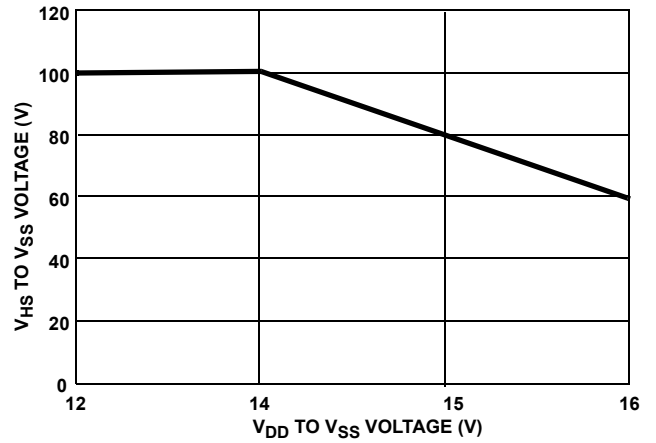
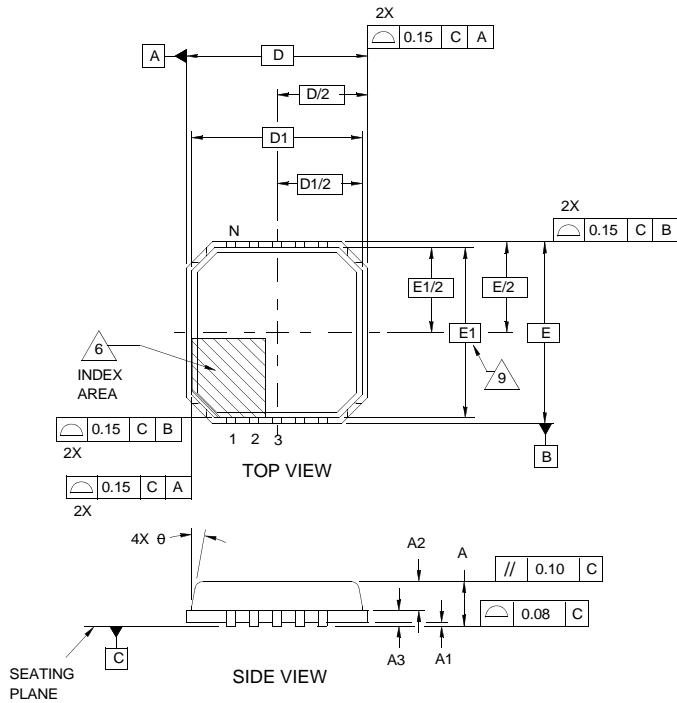


FIGURE 16. V<sub>HS</sub> VOLTAGE vs V<sub>DD</sub> VOLTAGE



**Dual Flat No-Lead Plastic Package (DFN)  
Micro Lead Frame Plastic Package (MLFP)**

**L12.4x4A  
12 LEAD DUAL FLAT NO-LEAD PLASTIC PACKAGE**

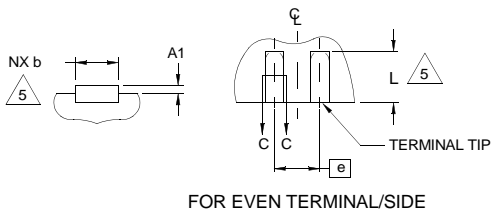


| SYMBOL | MILLIMETERS |         |      | NOTES |
|--------|-------------|---------|------|-------|
|        | MIN         | NOMINAL | MAX  |       |
| A      | -           | 0.85    | 0.90 | -     |
| A1     | 0.00        | 0.01    | 0.05 | -     |
| A2     | -           | 0.65    | 0.70 | -     |
| A3     | 0.20 REF    |         |      | -     |
| b      | 0.18        | 0.23    | 0.30 | 5, 8  |
| D      | 4.00 BSC    |         |      | -     |
| D1     | 3.75 BSC    |         |      | -     |
| D2     | 2.65        | 2.80    | 2.95 | 7, 8  |
| E      | 4.00 BSC    |         |      | -     |
| E1     | 3.75 BSC    |         |      | -     |
| E2     | 1.43        | 1.58    | 1.73 | 7, 8  |
| e      | 0.50 BSC    |         |      | -     |
| k      | 0.635       | -       | -    | -     |
| L      | 0.30        | 0.40    | 0.50 | 8     |
| N      | 12          |         |      | 2     |
| Nd     | 6           |         |      | 3     |
| P      | 0.24        | 0.42    | 0.60 | -     |
| θ      | -           | -       | 12   | -     |

Rev. 0 8/03

**NOTES:**

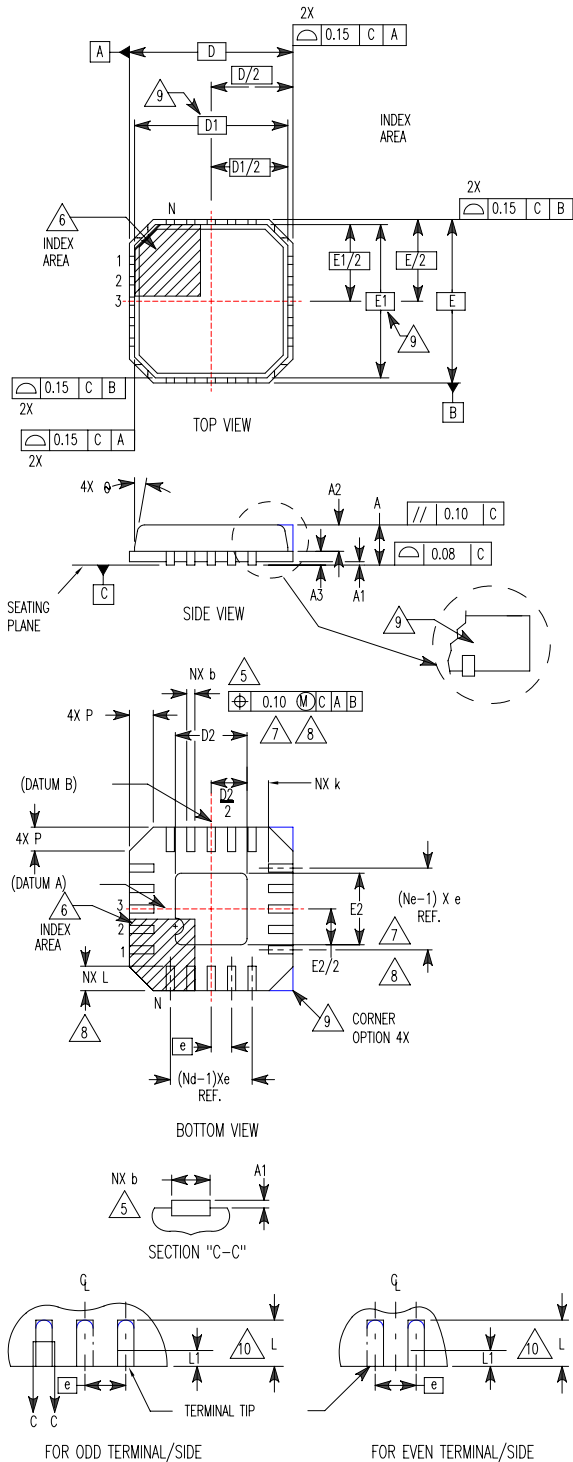
1. Dimensioning and tolerancing conform to ASME Y14.5M-1994.
2. N is the number of terminals.
3. Nd refer to the number of terminals on D.
4. All dimensions are in millimeters. Angles are in degrees.
5. Dimension b applies to the metallized terminal and is measured between 0.15mm and 0.30mm from the terminal tip.
6. The configuration of the pin #1 identifier is optional, but must be located within the zone indicated. The pin #1 identifier may be either a mold or mark feature.
7. Dimensions D2 and E2 are for the exposed pads which provide improved electrical and thermal performance.
8. Nominal dimensions are provided to assist with PCB Land Pattern Design efforts, see Intersil Technical Brief TB389.
9. COMPLIANT TO JEDEC MO-229-VGGD-2 ISSUE C except for the L dimension.



**Quad Flat No-Lead Plastic Package (QFN)**  
**Micro Lead Frame Plastic Package (MLFP)**

**L16.5x5**

16 LEAD QUAD FLAT NO-LEAD PLASTIC PACKAGE  
 (COMPLIANT TO JEDEC MO-220VHHB ISSUE C)



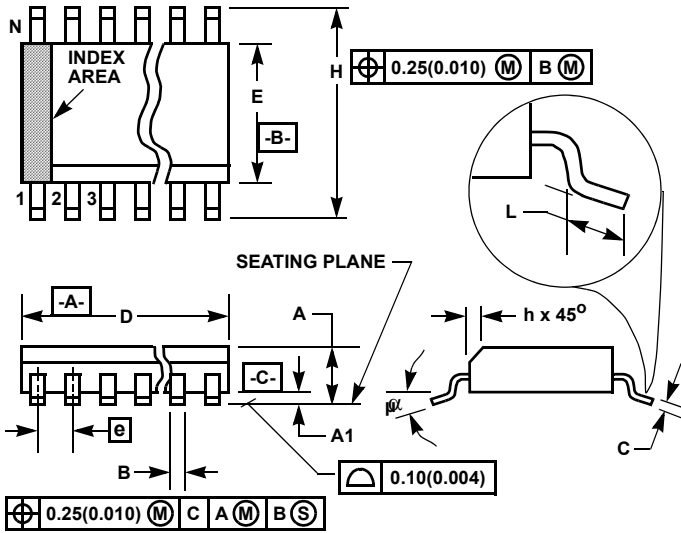
| SYMBOL | MILLIMETERS |         |      | NOTES |
|--------|-------------|---------|------|-------|
|        | MIN         | NOMINAL | MAX  |       |
| A      | 0.80        | 0.90    | 1.00 | -     |
| A1     | -           | -       | 0.05 | -     |
| A2     | -           | -       | 1.00 | 9     |
| A3     | 0.20 REF    |         |      | 9     |
| b      | 0.28        | 0.33    | 0.40 | 5, 8  |
| D      | 5.00 BSC    |         |      | -     |
| D1     | 4.75 BSC    |         |      | 9     |
| D2     | 2.55        | 2.70    | 2.85 | 7, 8  |
| E      | 5.00 BSC    |         |      | -     |
| E1     | 4.75 BSC    |         |      | 9     |
| E2     | 2.55        | 2.70    | 2.85 | 7, 8  |
| e      | 0.80 BSC    |         |      | -     |
| k      | 0.25        | -       | -    | -     |
| L      | 0.35        | 0.60    | 0.75 | 8     |
| L1     | -           | -       | 0.15 | 10    |
| N      | 16          |         |      | 2     |
| Nd     | 4           |         |      | 3     |
| Ne     | 4           | 4       |      | 3     |
| P      | -           | -       | 0.60 | 9     |
| θ      | -           | -       | 12   | 9     |

Rev. 2 10/02

**NOTES:**

1. Dimensioning and tolerancing conform to ASME Y14.5-1994.
2. N is the number of terminals.
3. Nd and Ne refer to the number of terminals on each D and E.
4. All dimensions are in millimeters. Angles are in degrees.
5. Dimension b applies to the metallized terminal and is measured between 0.15mm and 0.30mm from the terminal tip.
6. The configuration of the pin #1 identifier is optional, but must be located within the zone indicated. The pin #1 identifier may be either a mold or mark feature.
7. Dimensions D2 and E2 are for the exposed pads which provide improved electrical and thermal performance.
8. Nominal dimensions are provided to assist with PCB Land Pattern Design efforts, see Intersil Technical Brief TB389.
9. Features and dimensions A2, A3, D1, E1, P & θ are present when Anvil singulation method is used and not present for saw singulation.
10. Depending on the method of lead termination at the edge of the package, a maximum 0.15mm pull back (L1) maybe present. L minus L1 to be equal to or greater than 0.3mm.

Small Outline Plastic Packages (SOIC)



**M8.15 (JEDEC MS-012-AA ISSUE C)**  
**8 LEAD NARROW BODY SMALL OUTLINE PLASTIC PACKAGE**

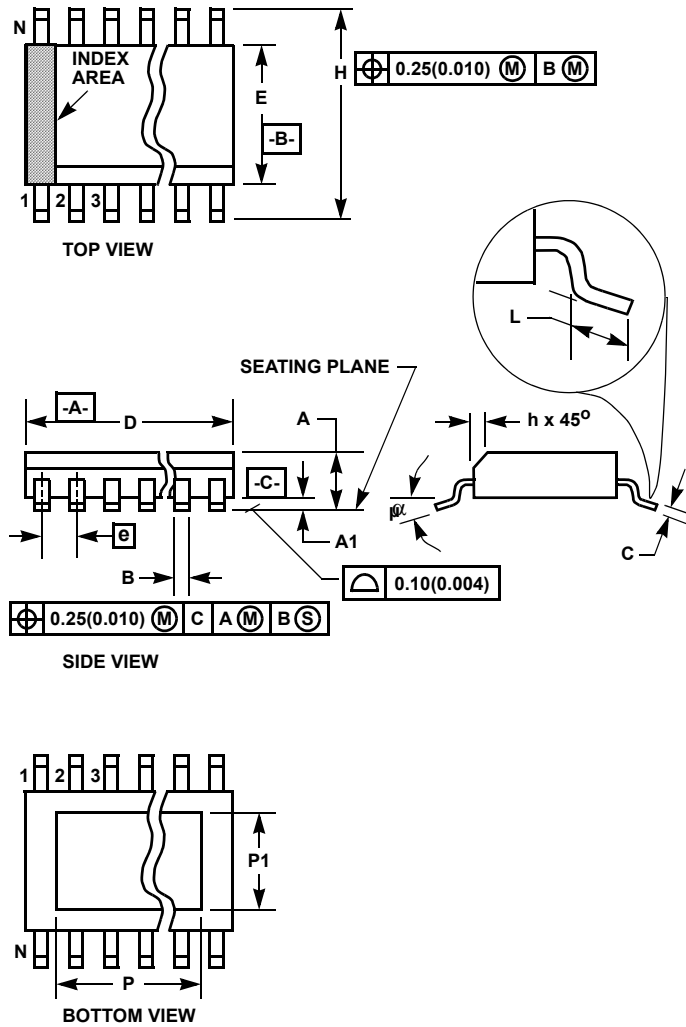
| SYMBOL   | INCHES    |        | MILLIMETERS |      | NOTES |
|----------|-----------|--------|-------------|------|-------|
|          | MIN       | MAX    | MIN         | MAX  |       |
| A        | 0.0532    | 0.0688 | 1.35        | 1.75 | -     |
| A1       | 0.0040    | 0.0098 | 0.10        | 0.25 | -     |
| B        | 0.013     | 0.020  | 0.33        | 0.51 | 9     |
| C        | 0.0075    | 0.0098 | 0.19        | 0.25 | -     |
| D        | 0.1890    | 0.1968 | 4.80        | 5.00 | 3     |
| E        | 0.1497    | 0.1574 | 3.80        | 4.00 | 4     |
| e        | 0.050 BSC |        | 1.27 BSC    |      | -     |
| H        | 0.2284    | 0.2440 | 5.80        | 6.20 | -     |
| h        | 0.0099    | 0.0196 | 0.25        | 0.50 | 5     |
| L        | 0.016     | 0.050  | 0.40        | 1.27 | 6     |
| N        | 8         |        | 8           |      | 7     |
| $\alpha$ | 0°        | 8°     | 0°          | 8°   | -     |

NOTES:

1. Symbols are defined in the "MO Series Symbol List" in Section 2.2 of Publication Number 95.
2. Dimensioning and tolerancing per ANSI Y14.5M-1982.
3. Dimension "D" does not include mold flash, protrusions or gate burrs. Mold flash, protrusion and gate burrs shall not exceed 0.15mm (0.006 inch) per side.
4. Dimension "E" does not include interlead flash or protrusions. Interlead flash and protrusions shall not exceed 0.25mm (0.010 inch) per side.
5. The chamfer on the body is optional. If it is not present, a visual index feature must be located within the crosshatched area.
6. "L" is the length of terminal for soldering to a substrate.
7. "N" is the number of terminal positions.
8. Terminal numbers are shown for reference only.
9. The lead width "B", as measured 0.36mm (0.014 inch) or greater above the seating plane, shall not exceed a maximum value of 0.61mm (0.024 inch).
10. Controlling dimension: MILLIMETER. Converted inch dimensions are not necessarily exact.

Rev. 0 12/93

Small Outline Exposed Pad Plastic Packages (EPSONIC)



**M8.15C**  
8 LEAD NARROW BODY SMALL OUTLINE EXPOSED PAD  
PLASTIC PACKAGE

| SYMBOL   | INCHES    |        | MILLIMETERS |       | NOTES |
|----------|-----------|--------|-------------|-------|-------|
|          | MIN       | MAX    | MIN         | MAX   |       |
| A        | 0.056     | 0.066  | 1.43        | 1.68  | -     |
| A1       | 0.001     | 0.005  | 0.03        | 0.13  | -     |
| B        | 0.0138    | 0.0192 | 0.35        | 0.49  | 9     |
| C        | 0.0075    | 0.0098 | 0.19        | 0.25  | -     |
| D        | 0.189     | 0.196  | 4.80        | 4.98  | 3     |
| E        | 0.150     | 0.157  | 3.811       | 3.99  | 4     |
| e        | 0.050 BSC |        | 1.27 BSC    |       | -     |
| H        | 0.230     | 0.244  | 5.84        | 6.20  | -     |
| h        | 0.010     | 0.016  | 0.25        | 0.41  | 5     |
| L        | 0.016     | 0.035  | 0.41        | 0.89  | 6     |
| N        | 8         |        | 8           |       | 7     |
| $\alpha$ | 0°        | 8°     | 0°          | 8°    | -     |
| P        | -         | 0.126  | -           | 3.200 | 11    |
| P1       | -         | 0.099  | -           | 2.514 | 11    |

Rev. 0 11/03

NOTES:

1. Symbols are defined in the "MO Series Symbol List" in Section 2.2 of Publication Number 95.
2. Dimensioning and tolerancing per ANSI Y14.5M-1982.
3. Dimension "D" does not include mold flash, protrusions or gate burrs. Mold flash, protrusion and gate burrs shall not exceed 0.15mm (0.006 inch) per side.
4. Dimension "E" does not include interlead flash or protrusions. Interlead flash and protrusions shall not exceed 0.25mm (0.010 inch) per side.
5. The chamfer on the body is optional. If it is not present, a visual index feature must be located within the crosshatched area.
6. "L" is the length of terminal for soldering to a substrate.
7. "N" is the number of terminal positions.
8. Terminal numbers are shown for reference only.
9. The lead width "B", as measured 0.36mm (0.014 inch) or greater above the seating plane, shall not exceed a maximum value of 0.61mm (0.024 inch).
10. Controlling dimension: MILLIMETER. Converted inch dimensions are not necessarily exact.
11. Dimensions "P" and "P1" are thermal and/or electrical enhanced variations. Values shown are maximum size of exposed pad within lead count and body size.

All Intersil U.S. products are manufactured, assembled and tested utilizing ISO9000 quality systems.  
Intersil Corporation's quality certifications can be viewed at [www.intersil.com/design/quality](http://www.intersil.com/design/quality)

*Intersil products are sold by description only. Intersil Corporation reserves the right to make changes in circuit design, software and/or specifications at any time without notice. Accordingly, the reader is cautioned to verify that data sheets are current before placing orders. Information furnished by Intersil is believed to be accurate and reliable. However, no responsibility is assumed by Intersil or its subsidiaries for its use; nor for any infringements of patents or other rights of third parties which may result from its use. No license is granted by implication or otherwise under any patent or patent rights of Intersil or its subsidiaries.*

For information regarding Intersil Corporation and its products, see [www.intersil.com](http://www.intersil.com)